

2

1

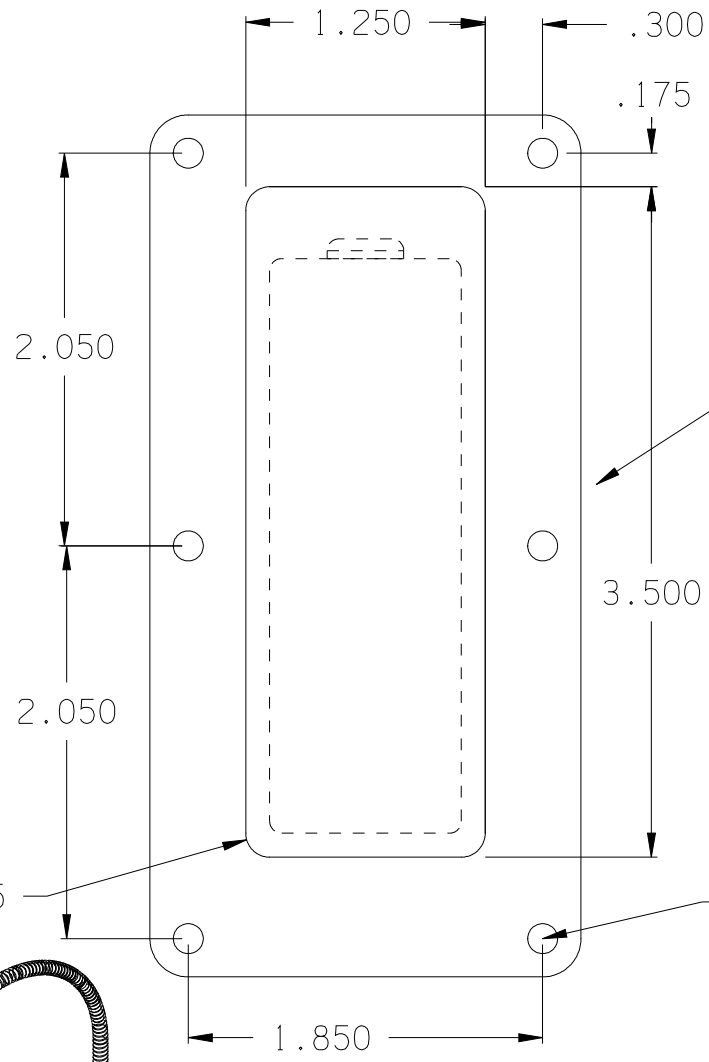
REVISIONS			
REV	DESCRIPTION	DATE	APPROVED

b

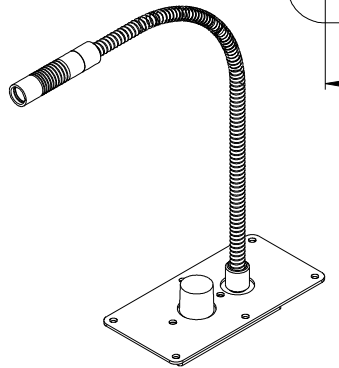
b

a

a



For securing the plate with screws provided, use a Number 37 drill. For clearance holes, use a 5/32" diameter drill.



Material:  
Finish:

Tolerance:  $\pm 0.010"$

PROJECTION  
THIRD ANGLE

Y:\LL Misc\MP3 Spec a.pdf

**Littlite LLC**  
P.O. Box 430  
10087 Industrial Drive  
Hamburg MI, 48139-0430  
810.652.4242, Littlite.com

DESC: MP3, Routing Template

SIZE A	Date: 31.Jul.13	Part Number: MP3 Spec a	REV A
-----------	--------------------	----------------------------	----------

Scale: 1:1      Drw: TAS      Sheet 1 of 1

2

1